

Hot Water / Chill Water Flow Balancing in Large Buildings

Description of Application

Hot water and chill water are often used to transport heat to or from Heat Exchangers in different parts of large buildings rather than transporting large amounts of heated or cooled air over long distances. In order to arrive at a comfortable temperature in all areas, the flow rate of the chill water or hot water must be controlled individually for each area (balanced).

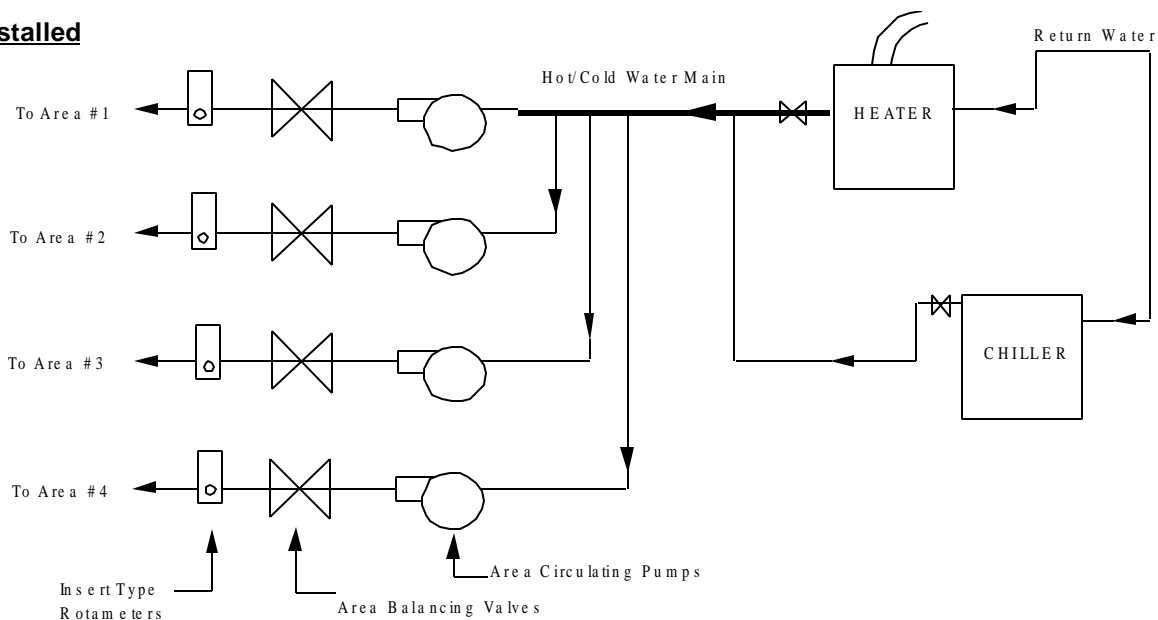
Where Used

By Mechanical Contractors or Heating/Air Conditioning Contractors on new or refurbished: Office Buildings, Hotels, Shopping Malls, etc.

Rotameter Solution

An Insert Type Rotameter provides the least expensive method to measure high flow rates in pipe sizes 2" and up. The installation cost is minimal.

How Installed



Method of Operation

The building engineering or maintenance personnel can control the temperature in each area by setting the flow rates of hot water or chill water in the different zones by reading each flowmeter. Experience will tell which setting is required for each zone given the outside weather conditions.

Model Selection

Use Insert Rotameter Model 71K1021 (2", 2-1/2" or 3" pipe) or 71K1022 (4", 5", 6", or 8" pipe).

For higher scale resolution and absolute accuracy use Orifice By-pass Rotameter Model 10B4555S with a main line orifice plate.

