

CONSTRUCTION

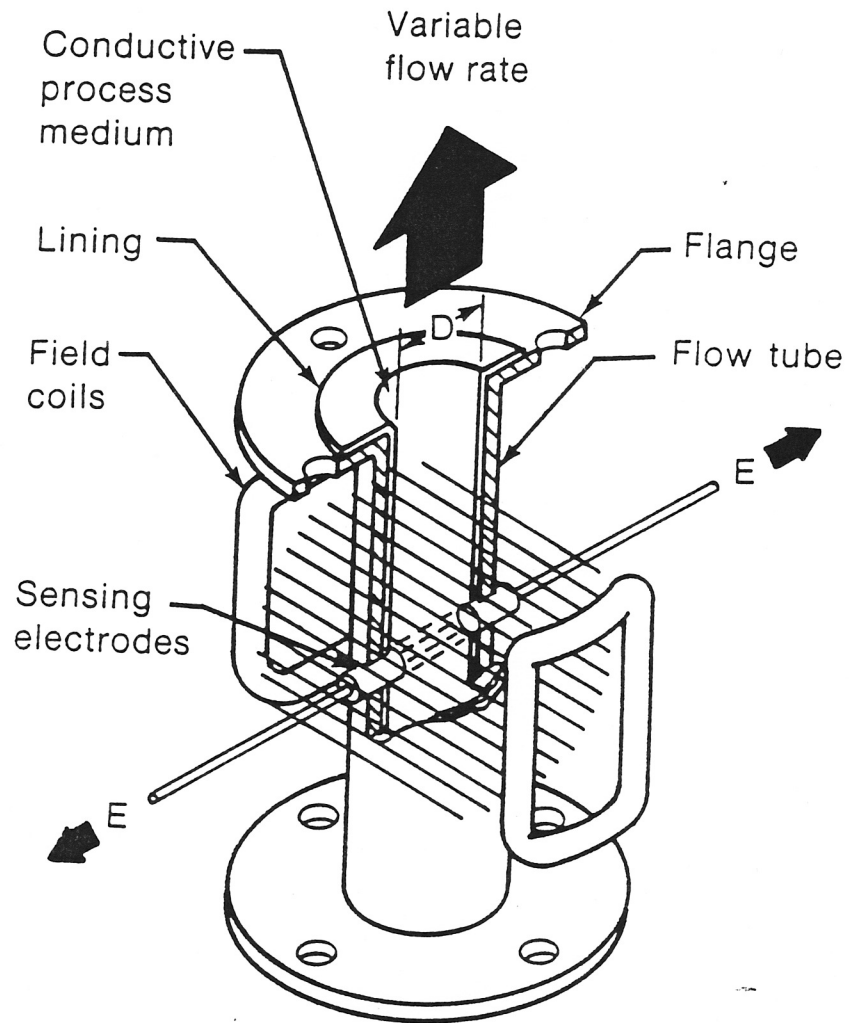


FIGURE 11-4
Magnetic flow primary.